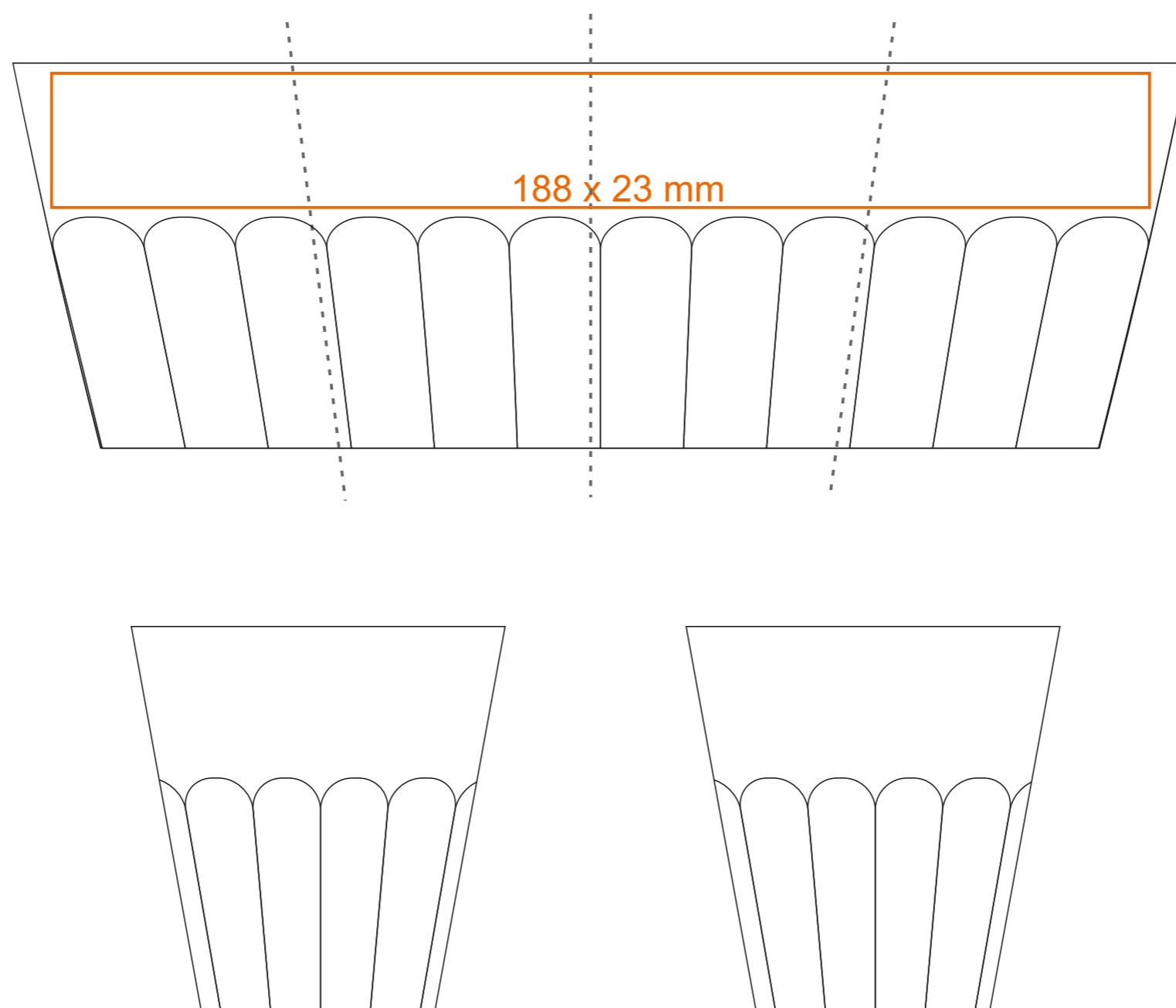


# M\_134 Nobel

90 ml / h: 66 mm / Ø 64 mm



Imprint on the inside  
 Imprint on the bottom inside  
 Imprint on the bottom outside

- 30 x 10 mm  
 - Ø 20 mm  
 - Ø 20 mm

\*In the case of projects for transfer print running outside of the standard print area, please contact our sales department.

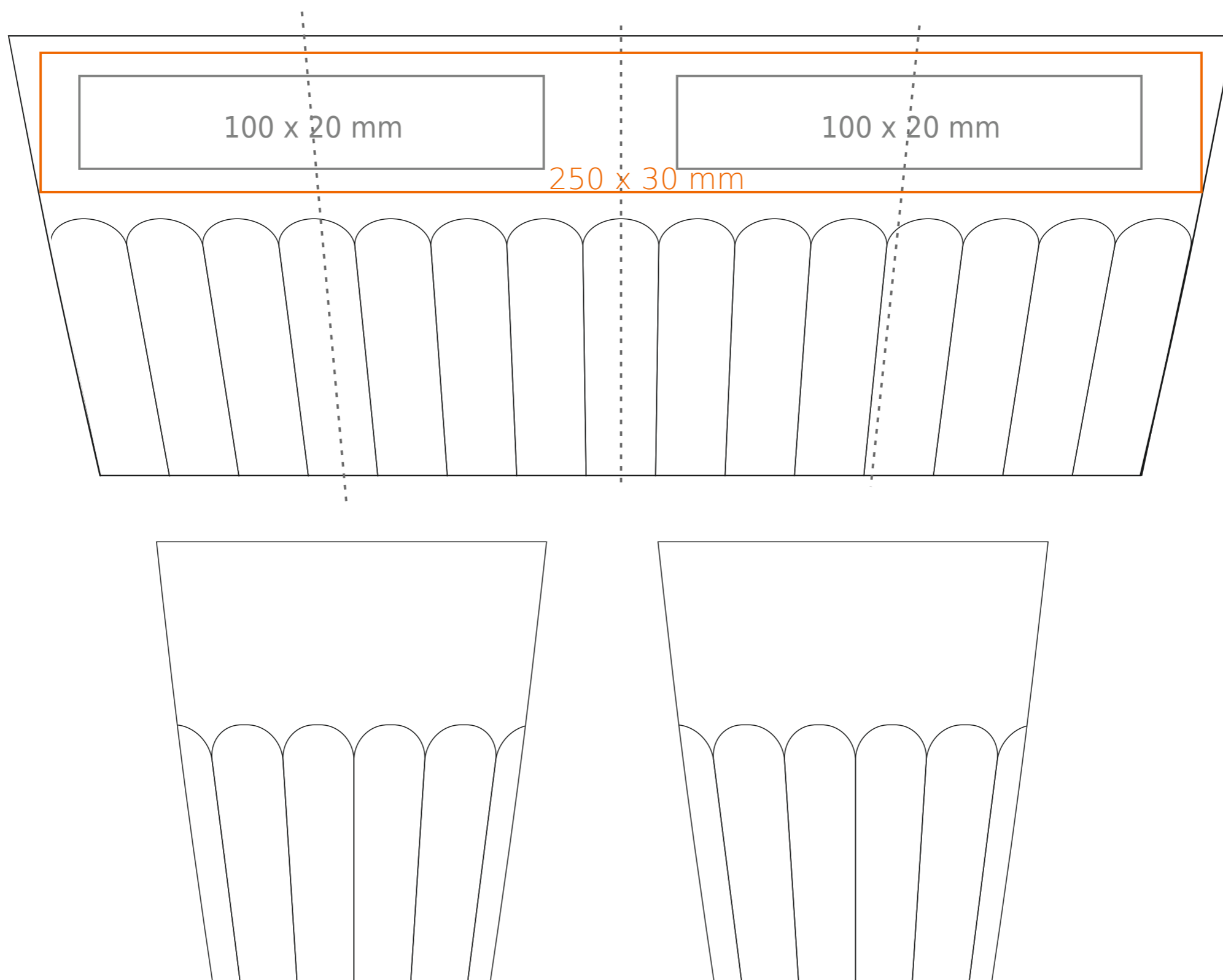
[How to prepare print material](#)

meaning

— Transfer Print  
 — Sensitive Touch

# M/134 Nobel

260 ml / h: 95 mm / Ø 84 mm



- Imprint on the inside - 50 x 15 mm
- Imprint on the bottom inside - Ø 40 mm
- Imprint on the bottom outside - Ø 30 mm

\*In the case of projects for transfer print running outside of the standard print area, please contact our sales department.

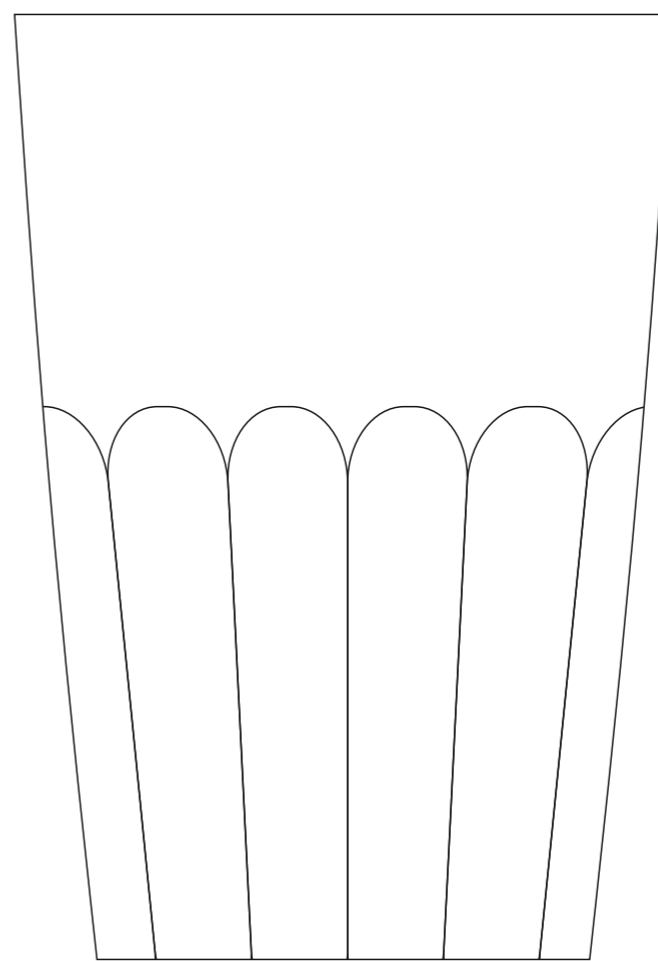
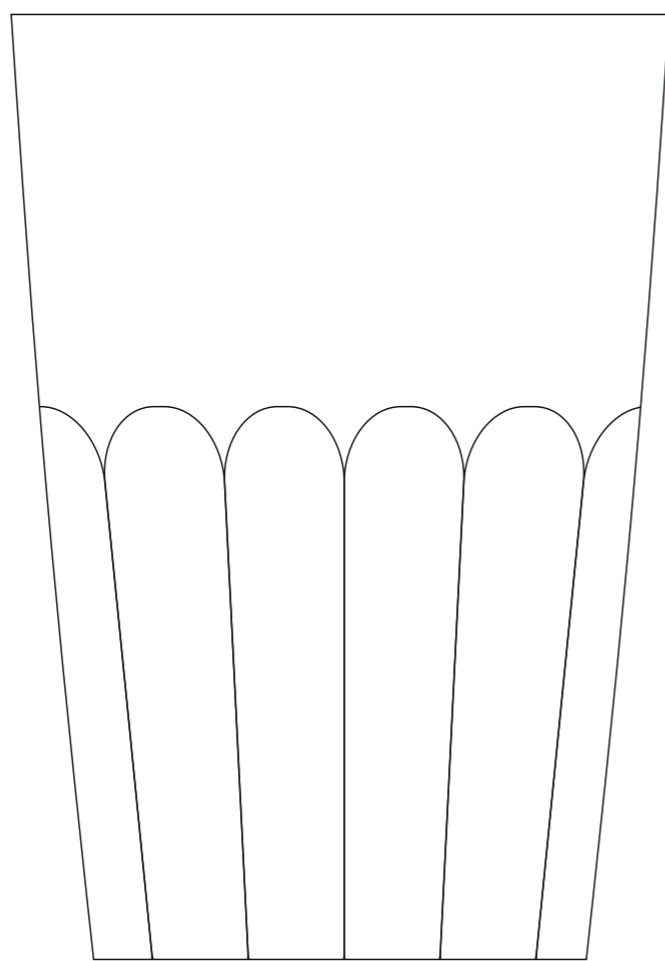
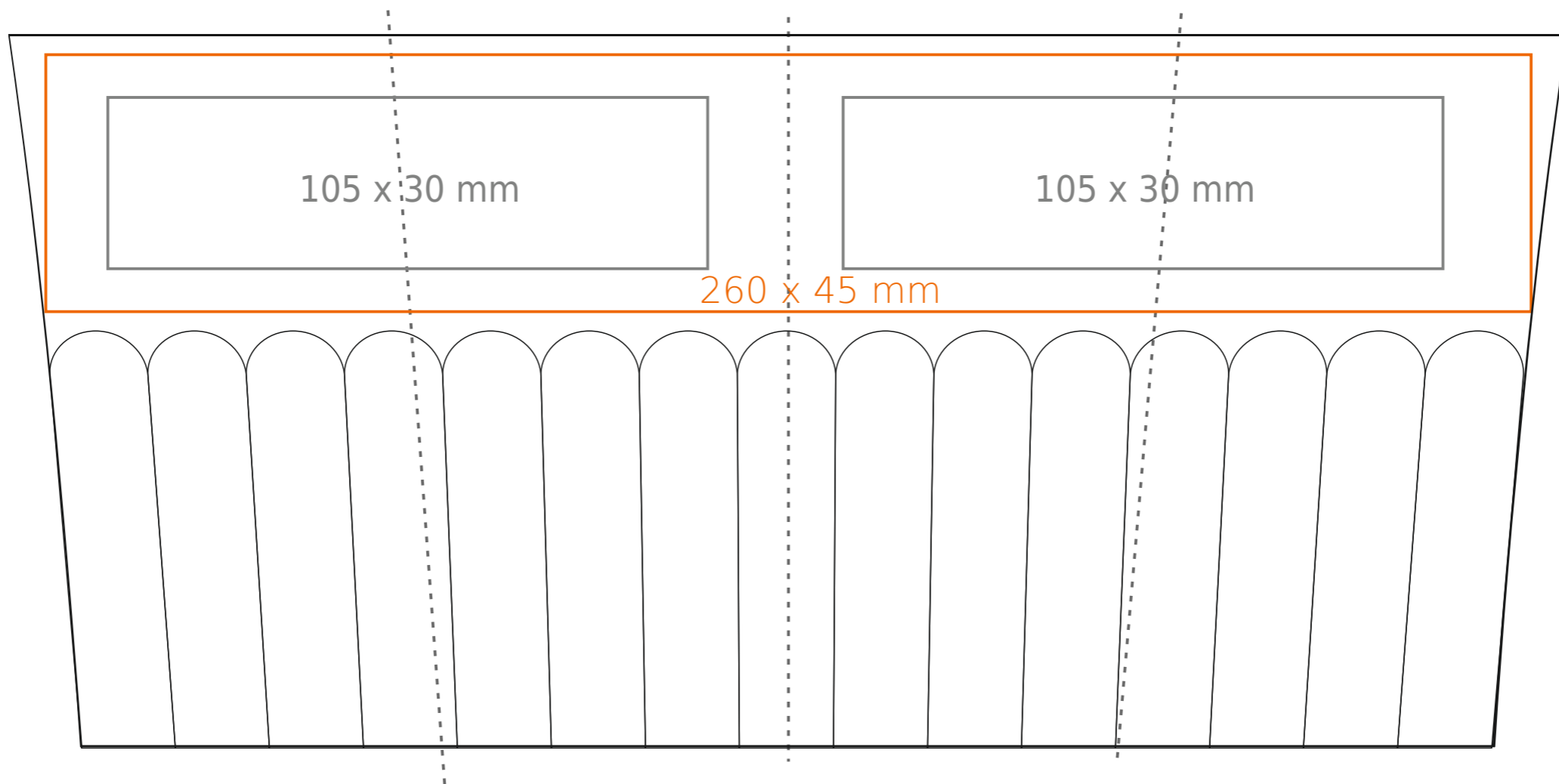
[How to prepare print material](#)

meaning

- Transfer Print
- Sensitive Touch
- Direct Print

# M/134 Nobel

360 ml / h: 125 mm / Ø 87 mm



- Imprint on the inside - 50 x 15 mm
- Imprint on the bottom inside - Ø 40 mm
- Imprint on the bottom outside - Ø 30 mm

\*In the case of projects for transfer print running outside of the standard print area, please contact our sales department.

[How to prepare print material](#)

meaning

- Transfer Print
- Sensitive Touch
- Direct Print